

Product: MAG D 4G/LTE

Product Order Code:

BM-02056

# Robust Wideband Magnetic Mounted Antenna

LTE-4G, CELLULAR (2G, 3G), WLAN 2.4GHz

- Magnetic mounted robust wideband monopole antenna
- RoHS 2011/65/EU & RoHS3 (2015/863/EU compliant)
- Request samples for test & evaluation via enquiry@bloomice.com

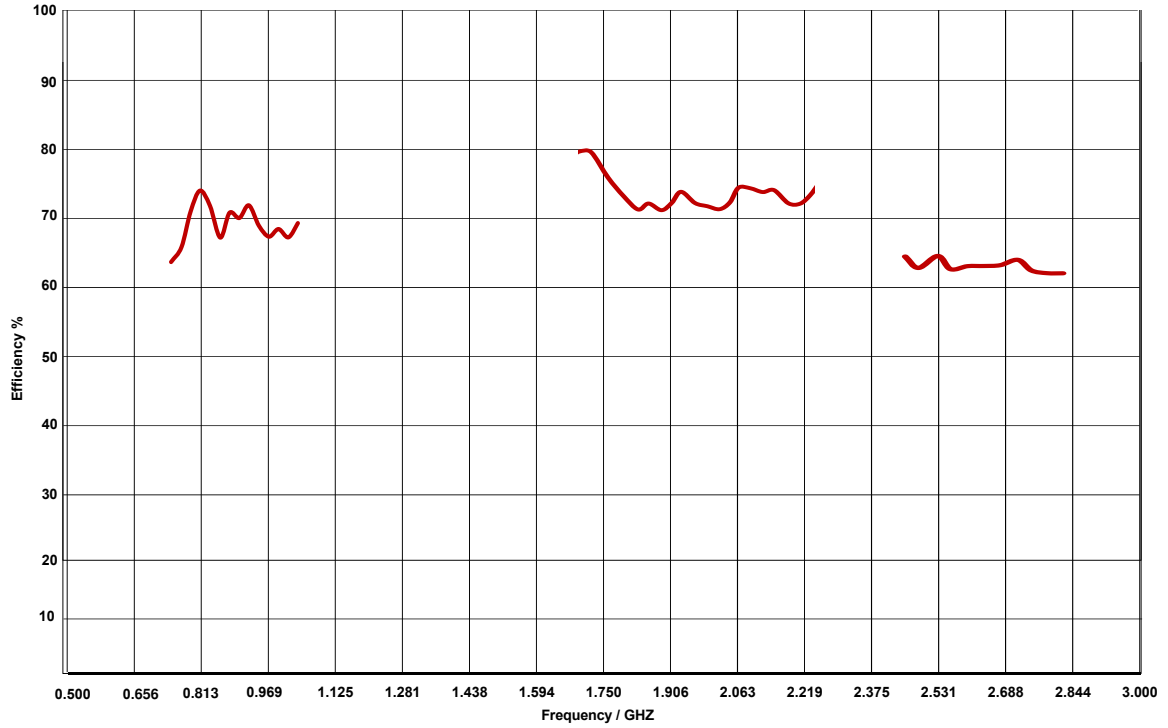


## Technical Data

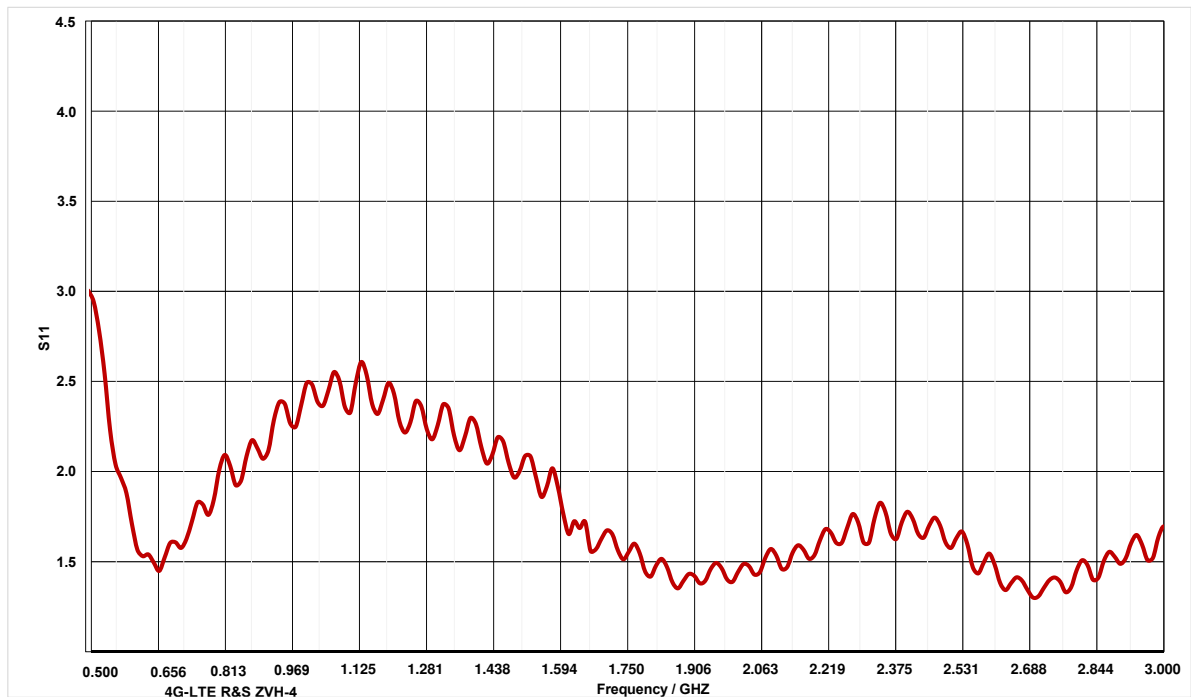
Dimensions	158mm (H) x 35mm (D) Base Diameter	
Weight	50g (excluding cable & connector)	
Construction Materials	Nylon 6 Black	
Mounting Arrangement	Magnetic Fix upon any metallic surface	
Temperature Range	-40 to +85° C	
Protection Class	IP66 (IEC 60529)	
<b>Cellular LTE / 2G / 3G</b>		
Frequency Range	LTE 700 + GSM 900:	698 - 960 MHz
	GSM 1800:	1710 - 1880 MHz
	UMTS:	1920 - 2170 MHz
	WLAN + LTE (High):	2300 - 2700 MHz
Impedance	50 Ohm	
Polarisation	Linear	
Average Gain	LTE 700 + GSM 900:	@ 790-960 MHz; 3dBi
	GSM 1800:	@ 1710-1880 MHz; 3dBi
	UMTS:	@ 1920-2170 MHz; 3dBi
	WLAN + LTE (High):	@ 2300-2700 MHz; 3dBi
Radiation Pattern	Omni-Directional	
Max Power @ 30°C	LTE 700 + GSM 900:	50 Watts @ 790-960 MHz
	GSM 1800:	50 Watts @ 1710-1880 MHz
	UMTS:	50 Watts @ 1920-2170 MHz
	WLAN + LTE (High):	50 Watts @ 2300-2700 MHz
Return loss (VSWR)	≤ 2.2:1 (All Bands)	
Radiator Type	Monopole	
Cable types Available	RG174 50Ohm	
Cable Length	According to customer specification	
Connector	According to customer specification	
Test & Measurement Conditions	300mm x 300mm Ground Plane / 1000mm RG174 / SMA MALE	

dBi: Referenced to an isotropic radiator

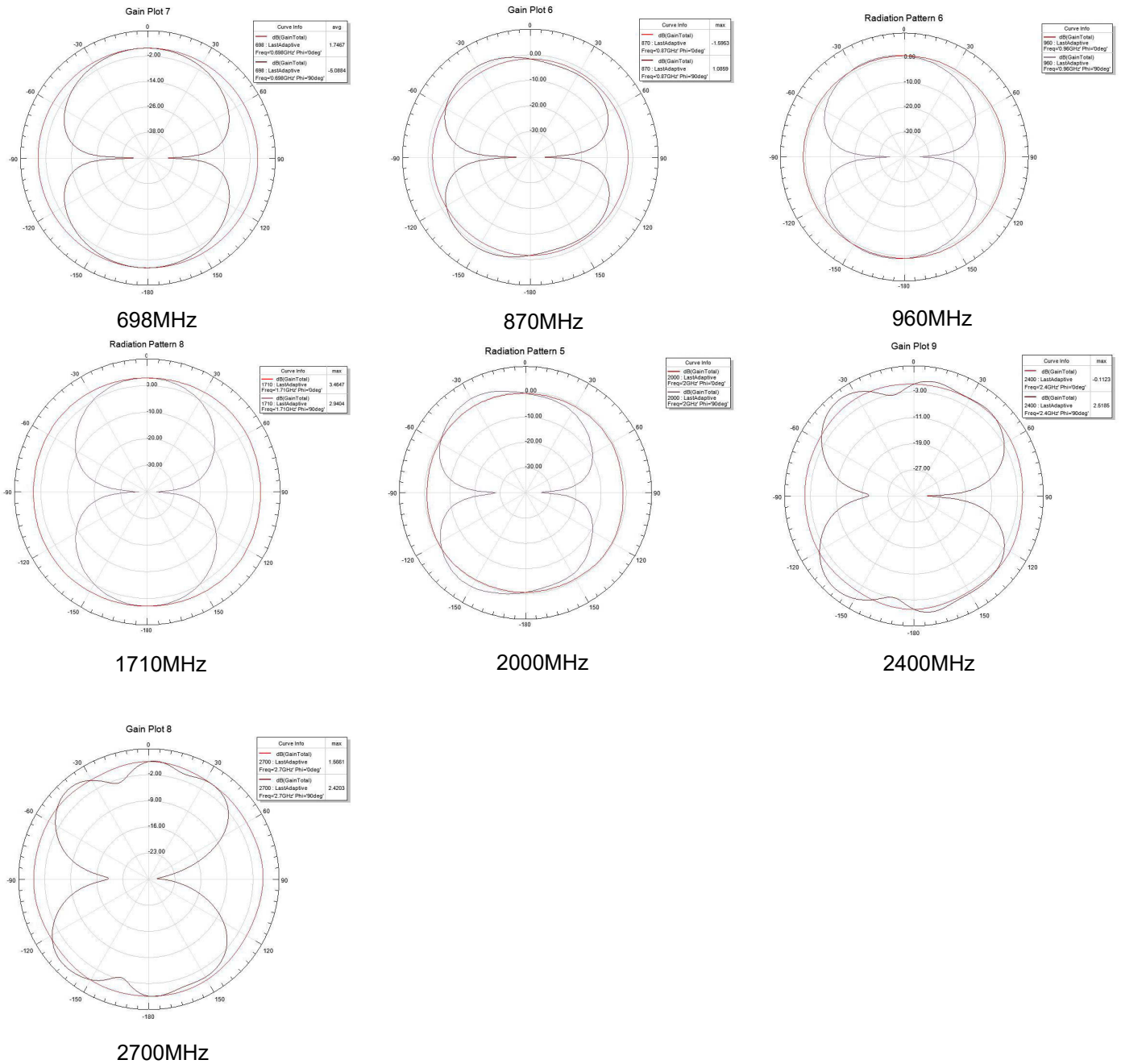
**Radiated Efficiency**



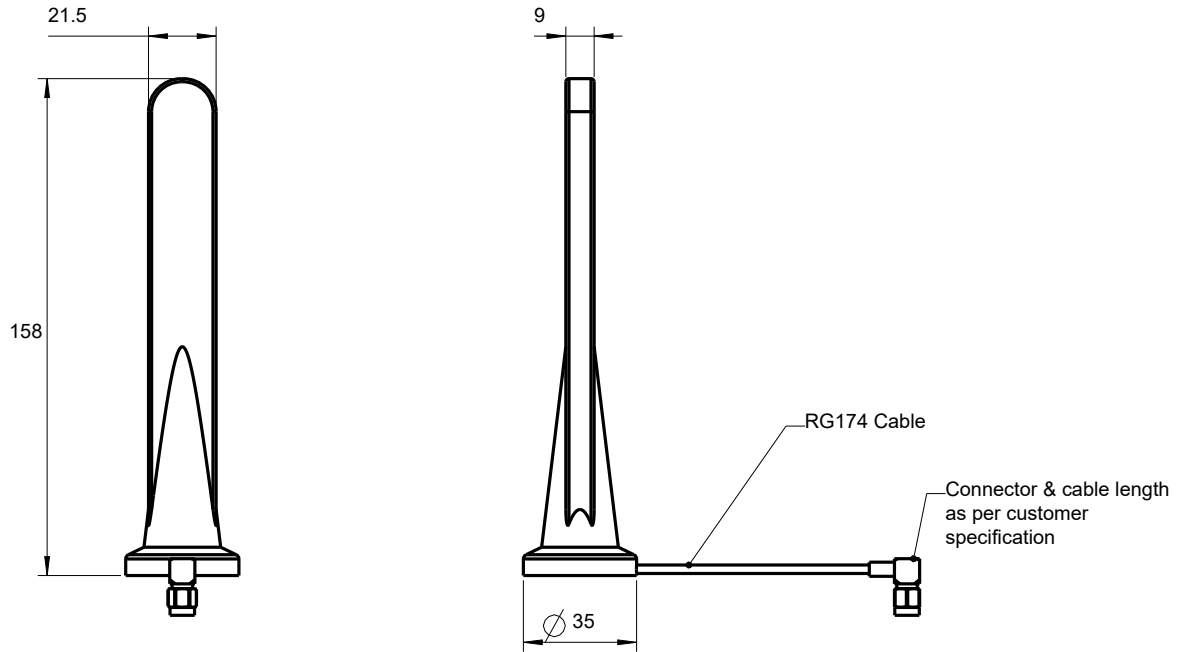
**Typical VSWR (LTE)**



Radiation Patterns (2D)



**CAD Outline**



Dimensions in mm